

Stronger Outside, Smarter Inside

Timken® SAF Split-Block Housed Units increase efficiency and deliver performance in rugged environments



SAF Interchange Guide

Shaft Size (inches)	TIMKEN	SKF	Dodge	Rexnord/ LINK-BELT
1 7/16	SAF 22509	SAF 22509	P2B509-USAF-107LER	PLB6823R
1 15/16	SAF 22511	SAF 22511	P2B511-USAF-115LER	PLB6831R
2 3/16	SAF 22513	SAF 22513	P2B513-USAF-203LER	-
2 7/16	SAF 22515	SAF 22515	P2B515-USAF-207LER	PLB6839R
2 7/16	FSAF 22515	FSAF 22515	P4B515-USAF-207LER	PLB6839FR
2 7/16	SAF 22615	SAF 22615	P2B615-USAF-207LER	-
2 11/16	SAF 22516	SAF 22516	P2B516-USAF-211LER	-
2 11/16	FSAF 22516	FSAF 22516	P4B516-USAF-211LER	-
2 15/16	SAF 22517	SAF 22517	P2B517-USAF-215LER	PLB6847R
2 15/16	FSAF 22517	FSAF 22517	P4B517-USAF-215LER	PLB6847FR
3 3/16	SAF 22518	SAF 22518	P2B518-USAF-303LER	-
3 3/16	FSAF 22518	FSAF 22518	P4B518-USAF-303LER	-
3 7/16	SAF 22520	SAF 22520	P2B520-USAF-307LER	PLB6855R
3 7/16	FSAF 22520	FSAF 22520	P4B520-USAF-307LER	PLB6855FR
3 15/16	SAF 22522	SAF 22522	P4B522-USAF-315LER	PLB6863FR
3 15/16	SAF 22622	SAF 22622	P4B622-USAF-315LER	SAF22622315
4 3/16	SAF 22524	SAF 22524	P4B524-USAF-403LER	-
4 7/16	SAF 22526	SAF 22526	P4B526-USAF-407LER	PLB6871FR
4 15/16	SAF 22528	SAF 22528	P4B528-USAF-415LER	PLB6879FR
5 3/16	SAF 22530	SAF 22530	P4B530-USAF-503LER	PLB6883FR
5 7/16	SAF 22532	SAF 22532	P4B532-USAF-507LER	PLB6887FR
5 15/16	SAF 22534	SAF 22534	P4B534-USAF-515LER	PLB6895FR
6 7/16	SAF 22536	SAF 22536	P4B536-USAF-607LER	PLB68103FR
6 15/16	SAF 22538	SAF 22538	P4B538-USAF-615LER	PLB68111FR
7 15/16	SAF 22544	SAF 22544	P4B544-USAF-715LER	PLB68127FR
8 15/16	SAF 23048K x 8 15/16	SAF 23048 KA x 8 15/16	P4B048-USAF-815LER	PLB23048K81516
9	SAF 23048K x 9	SAF 23048 KA x 9	P4B048-USAF-900LER	PLB23048K9
9 7/16	SAF 23052K x 9 7/16	SAF 23052 KA x 9 7/16	P4B052-USAF-907LER	PLB23052K9716
9 1/2	SAF 23052K x 9 1/2	SAF 23052 KA x 9 1/2	P4B052-USAF-908LER	PLB23052K912
9 15/16	SAF 23056K x 9 15/16	SAF 23056 KA x 9 15/16	P4B056-USAF-915LER	PLB23056K91516
9 15/16	SDAF 23156K x 9 15/16	SDAF 23156 KA x 9 15/16	-	-
10	SAF 23056K x 10	SAF 23056 KA x 10	P4B056-USAF-1000LER	PLB23056K10
10	SDAF 23156K x 10	SDAF 23156 KA x 10	-	-
10 7/16	SAF 23056K x 10 7/16	SAF 23056 KA x 10 7/16	P4B056-USAF-1007LER	PLB23056K10716
10 7/16	SDAF 23156K x 10 7/16	SDAF 23156 KA x 10 7/16	-	PLB23156K10716
10 1/2	SAF 23056K x 10 1/2	SAF 23056 KA x 10 1/2	P4B056-USAF-1008LER	PLB66168FH
10 1/2	SDAF 23156K x 10 1/2	SDAF 23156 KA x 10 1/2	-	-
10 15/16	SDAF 23060K x 10 15/16	SDAF 23060 KA x 10 15/16	-	PLB23060K101516
10 15/16	SDAF 23160K x 10 15/16	SDAF 23160 KA x 10 15/16	-	PLB23160K101516
11	SDAF 23060K X 11	SDAF 23060 KA x 11	-	-
12 7/16	SDAF 23168K x 12 7/16	SDAF 23168 KA x 12 7/16	-	PLB23168K12716
12 1/2	SDAF 23068K X 12 1/2	SDAF 23068 KA x 12 1/2	-	-
12 15/16	SDAF 23072K X 12 15/16	SDAF 23072 KA x 12 15/16	-	-

Timken® SAF Component Guide

Shaft Size (inches)	Timken Part Numbers					Labyrinth Seals (included in housings)	End Plugs (sold separately, if needed)
	Order the Assembly Kit	Or order these components to make a complete assembly kit					
	Assembly Kit (1)	Spherical Roller Bearing	Adapter Sleeve (2)	Housing (3)			
1 7/16	SAF 22509	22209KEJW33C3	SNW-09 x 1 7/16	SAF 509	LOR 17	EPS 1	
1 15/16	SAF 22511	22211KEJW33C3	SNW-11 x 1 15/16	SAF 511	LOR 24	EPS 2	
2 3/16	SAF 22513	22213KEJW33C3	SNW-13 x 2 3/16	SAF 513	LOR 29	EPS 3	
2 7/16	SAF 22515	22215KEJW33C3	SNW-15 x 2 7/16	SAF 515	LOR 37	EPS 4	
2 7/16	FSAF 22515	22215KEJW33C3	SNW-15 x 2 7/16	FSAF 515	LOR 37	EPS 4	
2 7/16	SAF 22615	22315KEJW33C3	SNW-115 x 2 7/16	SAF 615	LOR 37	EPS 4	
2 11/16	SAF 22516	22216KEJW33C3	SNW-16 x 2 11/16	SAF 516	LOR 44	EPS 5	
2 11/16	FSAF 22516	22216KEJW33C3	SNW-16 x 2 11/16	FSAF 516	LOR 44	EPS 5	
2 15/16	SAF 22517	22217KEJW33C3	SNW-17 x 2 15/16	SAF 517	LOR 53	EPS 6	
2 15/16	FSAF 22517	22217KEJW33C3	SNW-17 x 2 15/16	FSAF 517	LOR 53	EPS 6	
3 3/16	SAF 22518	22218KEJW33C3	SNW-18 x 3 3/16	SAF 518	LOR 69	EPS 9	
3 3/16	FSAF 22518	22218KEJW33C3	SNW-18 x 3 3/16	FSAF 518	LOR 69	EPS 9	
3 7/16	SAF 22520	22220KEJW33C3	SNW-20 x 3 7/16	SAF 520	LOR 102	EPS 11	
3 7/16	FSAF 22520	22220KEJW33C3	SNW-20 x 3 7/16	FSAF 520	LOR 102	EPS 11	
3 15/16	SAF 22522	22222KEJW33C3	SNW-22 x 3 15/16	SAF 522	LOR 109	EPS 13	
3 15/16	SAF 22622	22322KEJW33C3	SNW-122 x 3 15/16	SAF 622	LOR 109	EPS 13	
4 3/16	SAF 22524	22224KEJW33C3	SNW-24 x 4 3/16	SAF 524	LOR 113	EPS 14	
4 7/16	SAF 22526	22226KEJW33C3	SNW-26 x 4 7/16	SAF 526	LOR 117	EPS 15	
4 15/16	SAF 22528	22228KEJW33C3	SNW-28 x 4 15/16	SAF 528	LOR 122	EPS 16	
5 3/16	SAF 22530	22230KEJW33C3	SNW-30 x 5 3/16	SAF 530	LOR 125	EPS 17	
5 7/16	SAF 22532	22232KEJW33C3	SNW-32 x 5 7/16	SAF 532	LOR 130	EPS 18	
5 15/16	SAF 22534	22234KEJW33C3	SNW-34 x 5 15/16	SAF 534	LOR 140	EPS 20	
6 7/16	SAF 22536	22236KEJW33C3	SNW-36 x 6 7/16	SAF 536	LOR 148	EPS 21	
6 15/16	SAF 22538	22238KEMBW33C3	SNW-38 x 6 15/16	SAF 538	LOR 155	EPS 22	
7 15/16	SAF 22544	22244KEMBW507C08C3	SNW-44 x 7 15/16	SAF 544	LOR 167	EPS 25	
8 15/16	SAF 23048K x 8 15/16	23048KEMW33C3	SNP-3048 x 8 15/16	SAF 048K x 8 15/16	LOR 552	EPS 30	
9	SAF 23048K x 9	23048KEMW33C3	SNP-3048 x 9	SAF 048K x 9	LOR 513	EPS 30	
9 7/16	SAF 23052K x 9 7/16	23052KEMBW507C08C3	SNP-3052 x 9 7/16	SAF 052K x 9 7/16	LOR 553	EPS 32	
9 1/2	SAF 23052K x 9 1/2	23052KEMBW507C08C3	SNP-3052 x 9 1/2	SAF 052K x 9 1/2	LOR 178	EPS 32	
9 15/16	SAF 23056K x 9 15/16	23056KEMBW507C08C3	SNP-3056 x 9 15/16	SAF 056K x 9 15/16	ER 751	EPS 37	
9 15/16	SDAF 23156K x 9 15/16	23156KEMBW507C08C3	SNP-3156 x 9 15/16	SDAF 3156K x 9 15/16	ER 751-1	EPS 38	
10	SAF 23056K x 10	23056KEMBW507C08C3	SNP-3056 x 10	SAF 056K x 10	ER 705	EPS 37	
10	SDAF 23156K x 10	23156KEMBW507C08C3	SNP-3156 x 10	SDAF 3156K x 10	ER 705-1	EPS 38	
10 7/16	SAF 23056K x 10 7/16	23056KEMBW507C08C3	SNP-3056 x 10 7/16	SAF 056K x 10 7/16	ER 745	EPS 37	
10 7/16	SDAF 23156K x 10 7/16	23156KEMBW507C08C3	SNP-3156 x 10 7/16	SDAF 3156K x 10 7/16	ER 745-1	EPS 38	
10 1/2	SAF 23056K x 10 1/2	23056KEMBW507C08C3	SNP-3056 x 10 1/2	SAF 056K x 10 1/2	ER 710	EPS 37	
10 1/2	SDAF 23156K x 10 1/2	23156KEMBW507C08C3	SNP-3156 x 10 1/2	SDAF 3156K x 10 1/2	ER 710-1	EPS 38	
10 15/16	SDAF 23060K x 10 15/16	23060KEMBW507C08C3	SNP-3060 x 10 15/16	SDAF 060K x 10 15/16	ER 858	EPS 40	
10 15/16	SDAF 23160K x 10 15/16	23160KEMBW507C08C3	SNP-3160 x 10 15/16	SDAF 3160K x 10 15/16	ER 858	EPS 40	
11	SDAF 23060K X 11	23060KEMBW507C08C3	SNP-3060 X 11	SDAF 060K X 11	ER 825	EPS 40	
12 7/16	SDAF 23168K x 12 7/16	23168KEMBW507C08C3	SNP-3168 x 12 7/16	SDAF 3168K x 12 7/16	ER 865-1	EPS 42	
12 1/2	SDAF 23068K X 12 1/2	23068KEMBW507C08C3	SNP-3068 X 12 1/2	SDAF 068K X 12 1/2	ER 866-1	EPS 42	
12 15/16	SDAF 23072K X 12 15/16	23072KEMBW507C08C3	SNP-3072 X 12 15/16	SDAF 072K X 12 15/16	ER 869-1	EPS 43	

Find the size you need - fast

- Standard shaft sizes ranging from 1 3/8 in. to 19 1/2 in. bore
- Custom shaft sizes up to 40 inches
- Metric bore sizes are available

Reduce your downtime

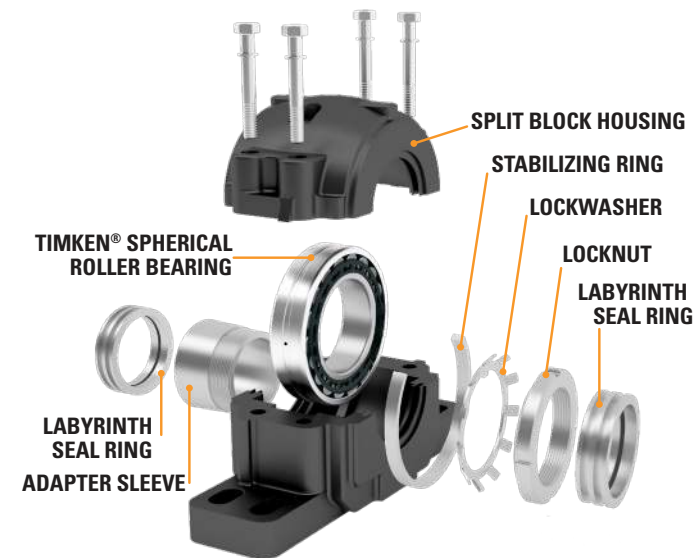
- Fast shipment on most standard shaft sizes
- Comprehensive inventory levels of housings, bearings and accessories to mount and seal
- Split construction design simplifies installation and saves service time

Choose the design you need

- Tapered bore design for easy mounting
- Straight bore design for better axial location
- Readily convert the block from fixed to float by removing the stabilizing ring

Order complete assembly or components separately

- Well-stocked inventory typically enables quick shipment of standard product



Additional sizes available. These tables only include a portion of the full SAF/SDAF catalog. Standard housing material is cast iron. Cast steel (i.e. SAFS) and ductile iron (i.e. SAFD) housings are also available.

Footnotes: (1) Assembly kit includes housing (with stabilizing ring and two seals), adapter sleeve and a spherical roller bearing. (2) Adapter sleeve includes locknut and lockwasher or lockplate. (3) All housings include stabilizing ring and two seals. Assemble with stabilizing ring for fixed bearing and without stabilizing ring for float bearing. (4) Included with housings, but also can be purchased separately. Typically, two seals used in each housing. (5) Sold separately, one end plug per box

Notes: All assemblies and housings described on this page constitute fixed open units (FXOP), which are typically stocked items. To create the float open (FLOP) version, order the FXOP version and remove the stabilizing ring from the housing. If a closed end housing is required, order the FXOP version and order the appropriate end plug separately to create the fixed closed (FXCL) or float closed (FLCL) versions (remove stabilizing ring for FLCL).

In some cases FXCL, FLCL, and FLOP units are stocked, contact Timken Customer Service for details.

Example: To create SAF 22515 FLCL, order Timken SAF 22515 FXOP and EPS 4 and assemble without the stabilizing ring from the housing.

TIMKEN

The Timken team applies their know-how to improve the reliability and performance of machinery in diverse markets worldwide. The company designs, makes and markets high-performance mechanical components, including bearings, belts, brakes, clutches, chain, couplings, gears and related mechanical power transmission products and services.

Stronger. By Design.

www.timken.com

1M 11-18 :29 Order No.10690 | Timken® is a registered trademark of The Timken Company. | © 2018 The Timken Company | Printed in U.S.A.