



TIMKEN

TIMKEN® TYPE E TAPERED ROLLER BEARING HOUSED UNIT SECONDARY SEALING SYSTEM

Timken offers the most robust sealing system in the industry for Type E Housed Units.

- Help your Type E unit last longer against contamination and moisture with the Timken unrivaled multi-point sealing system.



Pillow Block: Two-Bolt Base



Pillow Block: Four-Bolt Base

Users of this sealing system reported significantly increased uptime in severely contaminated and wet environments.

- Give your housed unit extra protection with rugged, cost-effective covers designed to fight heavy contamination in industries where particulates are a challenge.
- Keep your bearings performing, even in harsh, dirty applications with the higher abrasion-resistant triple-barrier internal seal (**standard in all units**).
- Type E Secondary Sealing System available in the full range of units from 1 $\frac{3}{16}$ in. to 5 in. and 35 mm to 100 mm.
- **All units can accommodate end covers which can also be purchased separately.**



Flange: Four-Bolt



Flange: Piloted



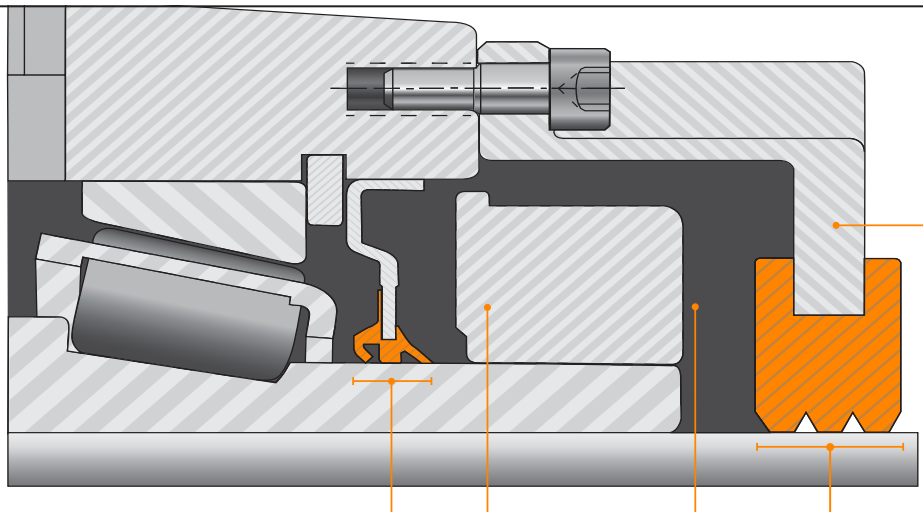
Take-Up: Wide Slot



Take-Up: Top Angle



UNRIVALED MULTI-POINT SEALING SYSTEM



Upgraded triple-barrier internal bearing seal

- Two contact lips and one rigid middle labyrinth section to help retain grease and reduce contamination ingress
- New enhanced seal material to provide greater performance with 2X more abrasion resistance than the industry standard nitrile seal

Locking collar

Grease in cavity of end cover

Triple-lip external rubber through shaft seal

External secondary cover

Points of Sealing:

3

1

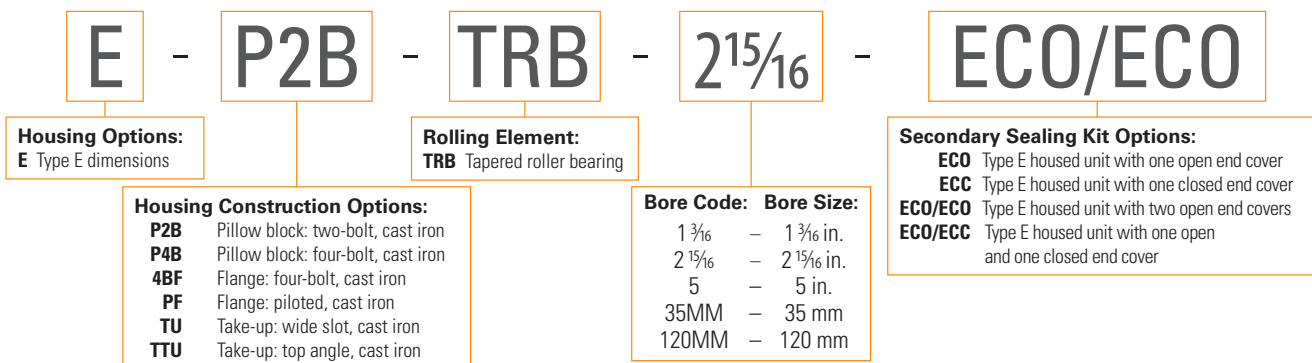
1

3

1

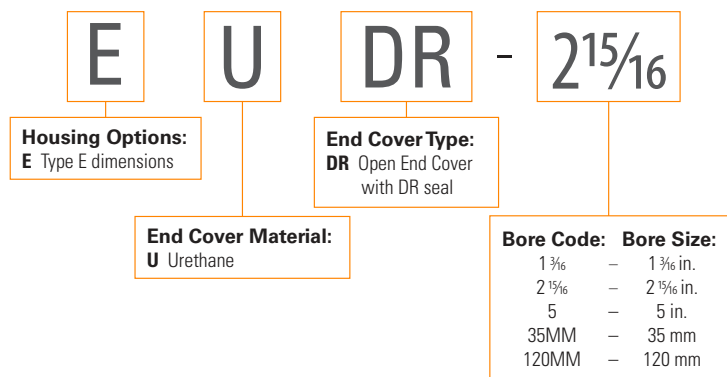
TYPE E TAPERED HOUSED UNIT SECONDARY SEALING SYSTEM NOMENCLATURE

Sealing System kits include Type E housed unit and end covers and will come with upgraded higher abrasion-resistant bearing seals.

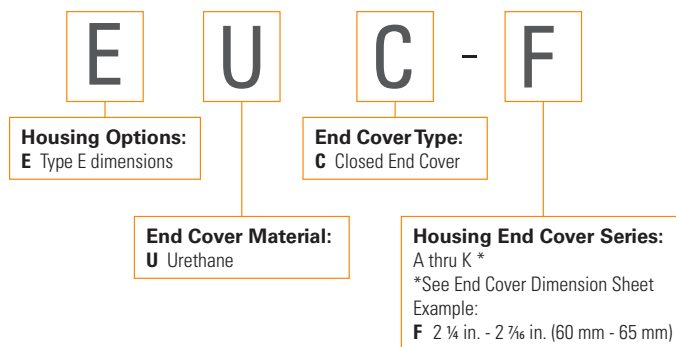


Single covers available for purchase.

Open End Cover Nomenclature.



Closed End Cover Nomenclature.



The Timken team applies their know-how to improve the reliability and performance of machinery in diverse markets worldwide. The company designs, makes and markets high-performance mechanical components, including bearings, belts, chain, gears and related mechanical power transmission products and services.

Stronger. By Design.

www.timken.com